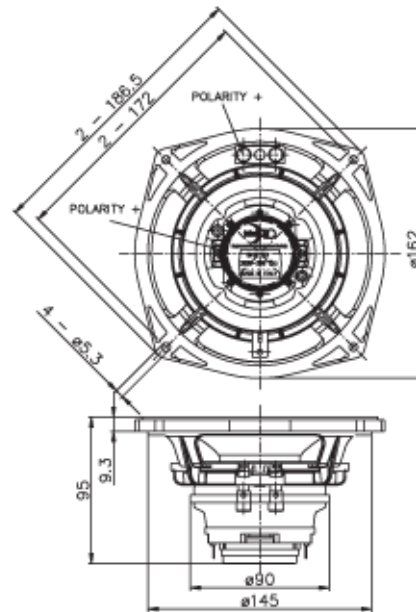




6HX150 Coaxial loudspeakers



NOMINAL SPECIFICATIONS

Nom. Diameter	160 mm (6 in)
Overall Diameter	186.5 mm (7.34 in)
Bolt Circle Diameter	172 mm (6.77 in)
Baffle Cutout Diameter	147 mm (5.79 in)
Depth	95 mm (3.74 in)
Flange and Gasket Thickness	9.3 mm (0.37 in)
Net Weight	1.3 Kg (2.87 lb)
Shipping Box (Single Carton Box)	202x202x134 mm (7.95x7.95x5.28 in)
Shipping Weight	2.8 Kg (6.17 lb)

THIELE & SMALL PARAMETERS

Fs	88 Hz
Re [LF]	5.5 Ohm
Re [HF]	6 Ohm
Qes	0.35
Qms	8.3
Qts	0.33
Vas	4.8 dm ³ (0.17 ft ³)
Sd	130 cm ² (20.15 in ²)
Xmax *****	4.35 mm
Xdamage *****	10 mm
Mms	14 g
Bl	12 N/A
Le	0.64 mH
Mmd	13.3 g
Cms	0.2 mm/N
Rms	1 Kg/s
Eta Zero	1.22 %
EBP	251 Hz

TECHNICAL PARAMETERS [LF] [HF]

Nom. Impedance	8 Ohm	8 Ohm
Minimum Impedance	6.5 Ohm	6.4 Ohm
Nom. Power Handling *	150 W	15 W
Max Power Handling **	300 W	30 W
Sensitivity (1W/1m) ***	92 dB	104 dB
Frequency Range	90÷1600 Hz	1500÷18000 Hz
Voice Coil Diameter	52 mm (2.05 in)	25 mm (0.98 in)
Winding Material	Cu	Al
Former Material	Glass Fiber	Kapton
Winding Depth	10.7 mm (0.42 in)	1.7 mm (0.07 in)
Magnetic Gap Depth	6 mm (0.24 in)	2 mm (0.08 in)
Flux Density	1.35 T	1.35 T
Min. Cross. Freq. ****	-	1700 Hz
Dispersion Angle	-	90°
Diaphragm Material	-	Ketone Polymer
Diaphragm Shape	-	Dome

NOTES

[Al] demodulation ring for reduced total harmonic distortion

(*) 2 Hours Test According to AES 2-1984 Rev. 2003

(**) Maximum power is defined as 3dB greater than nominal power.

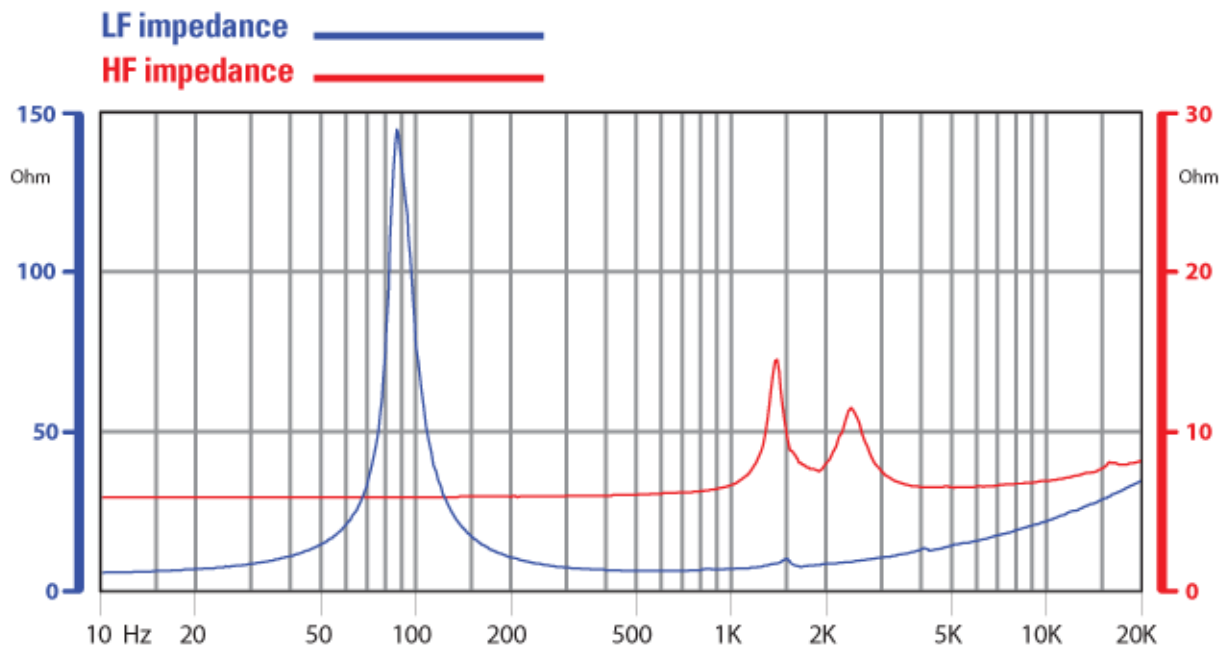
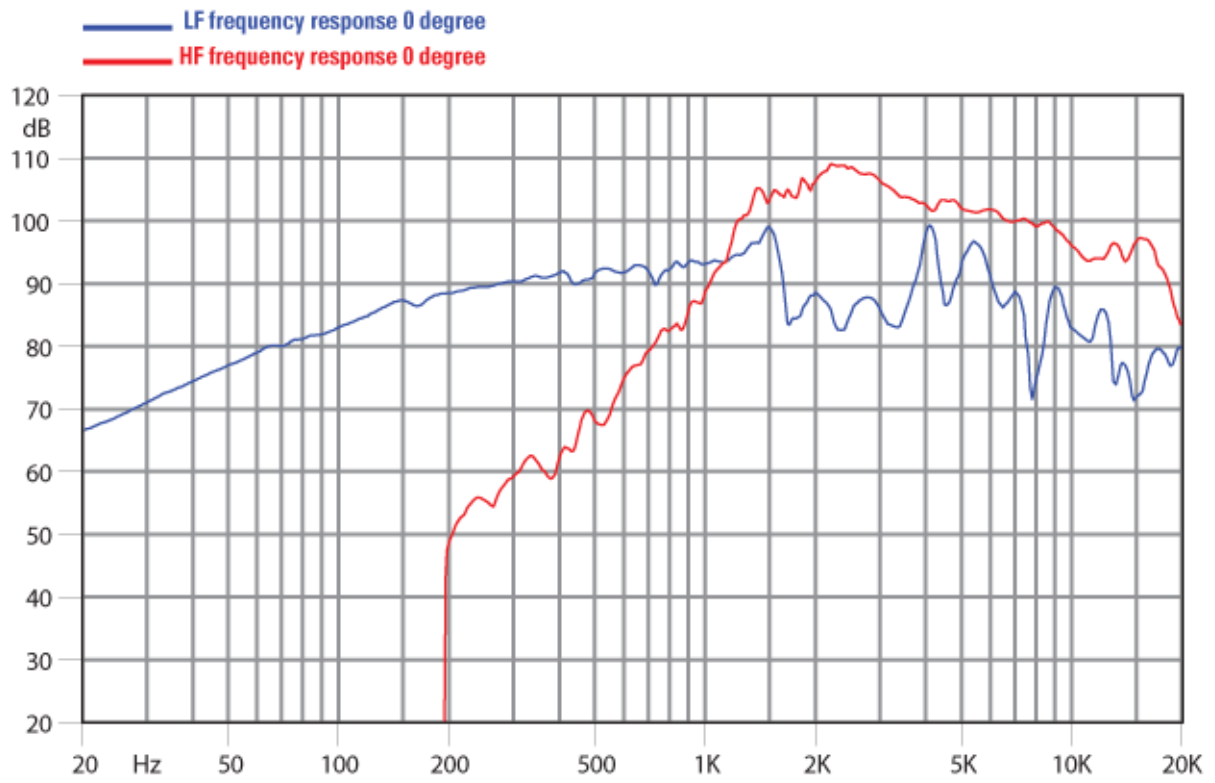
(***) HF Sensitivity averaged within the frequency range

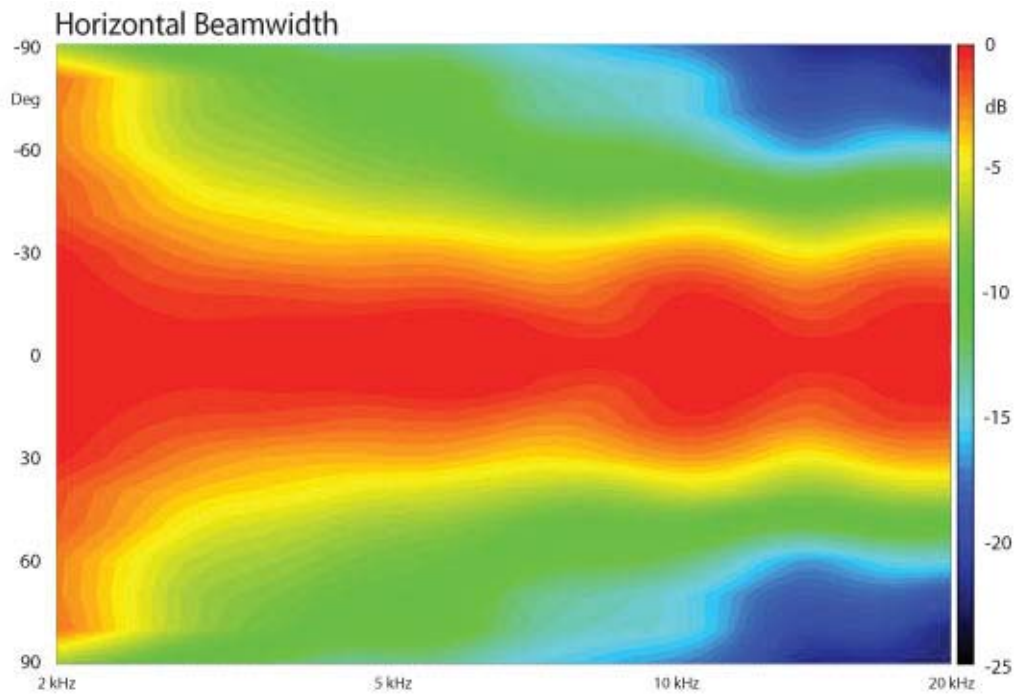
(****) 12 dB/oct or higher slope high-pass filter

(*****) Xmax = [(winding depth - magnetic gap depth) / 2] + (magnetic gap depth / 3)

(*****) Maximum excursion before permanent damage

CURVES





©Copyright 2007 - Faital S.p.A. Fabbrica Italiana Altoparlanti - All right reserved.